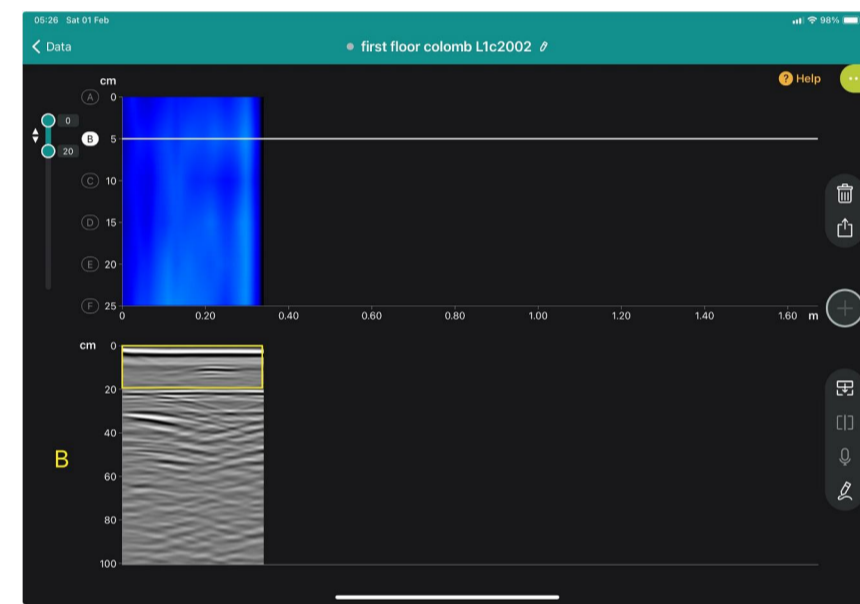
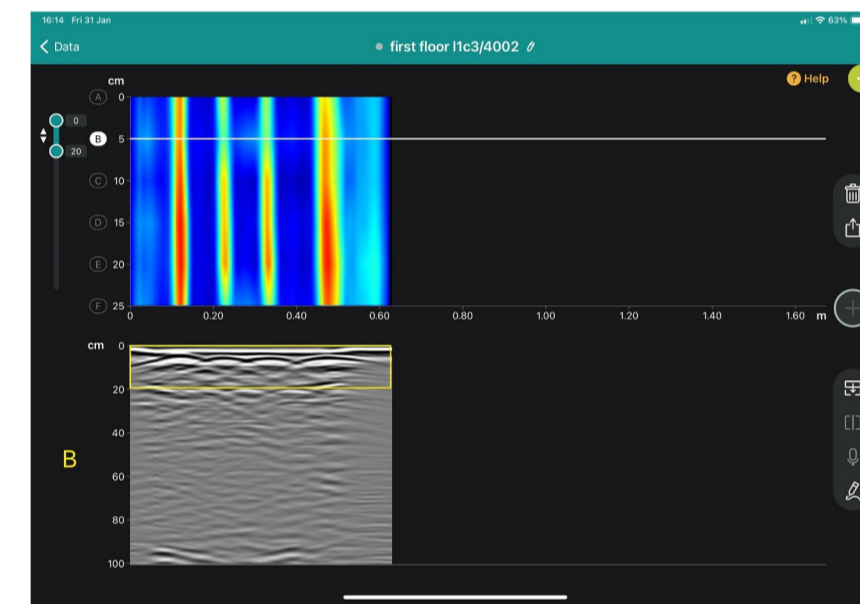


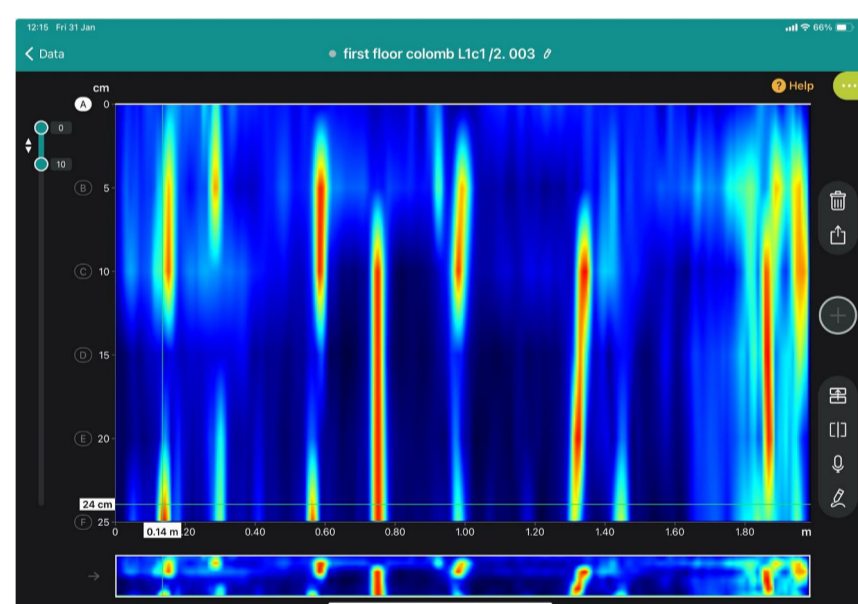
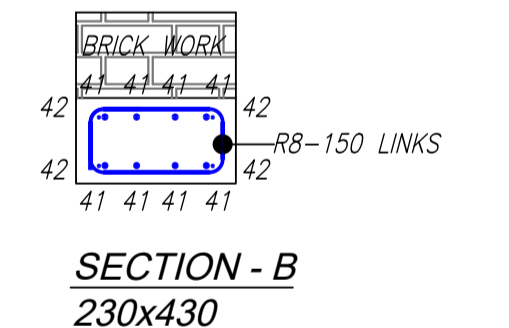
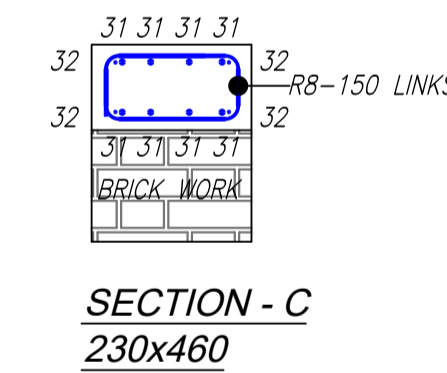
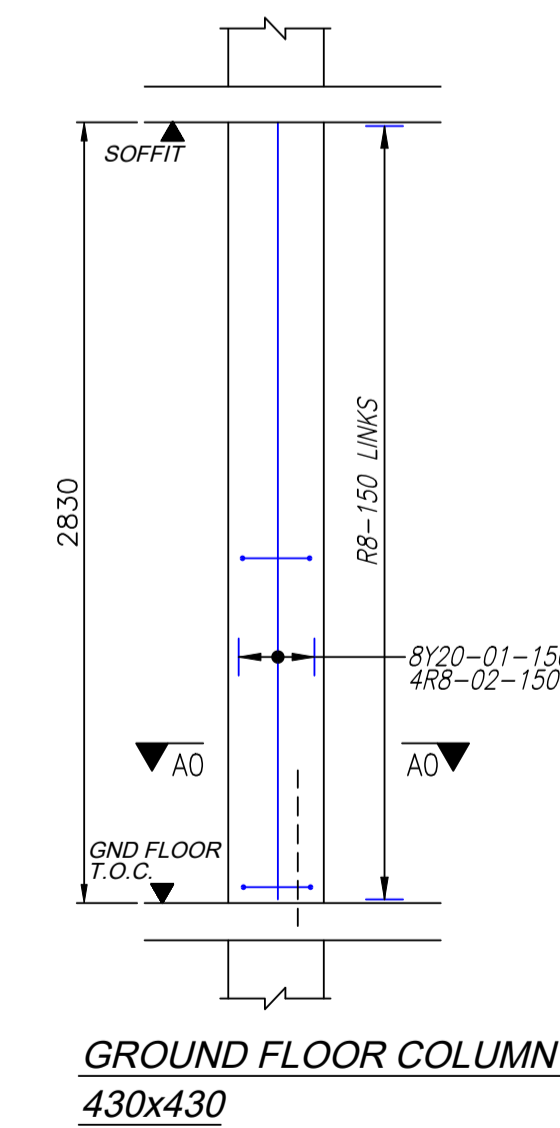
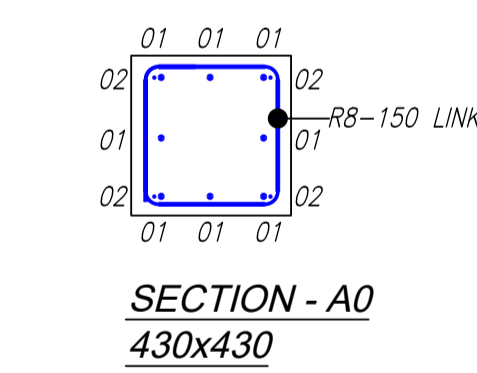
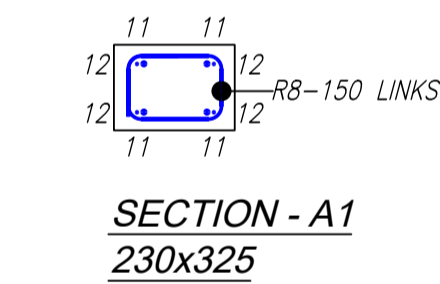
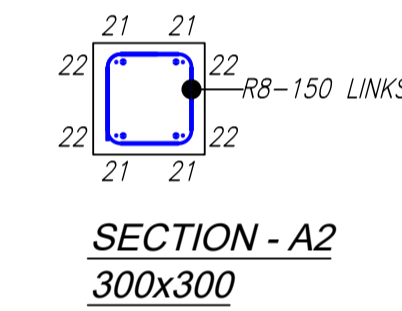
COLUMN - 01



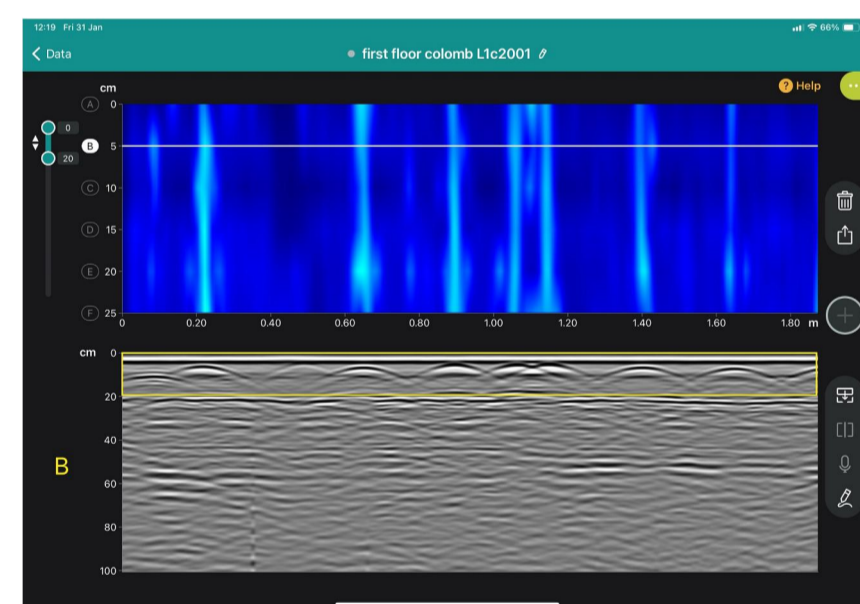
COLUMN - 02



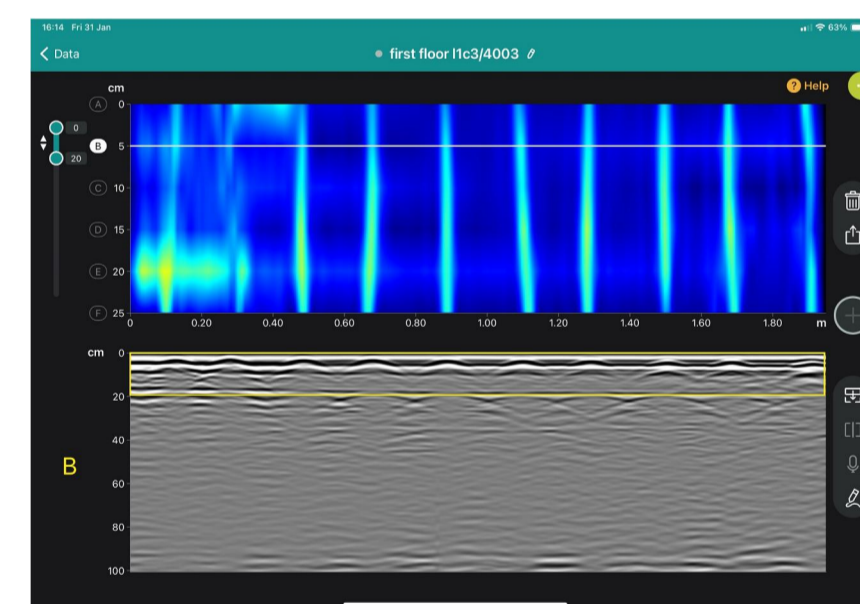
COLUMN - 03



COLUMN - 01



COLUMN - 02



COLUMN - 03



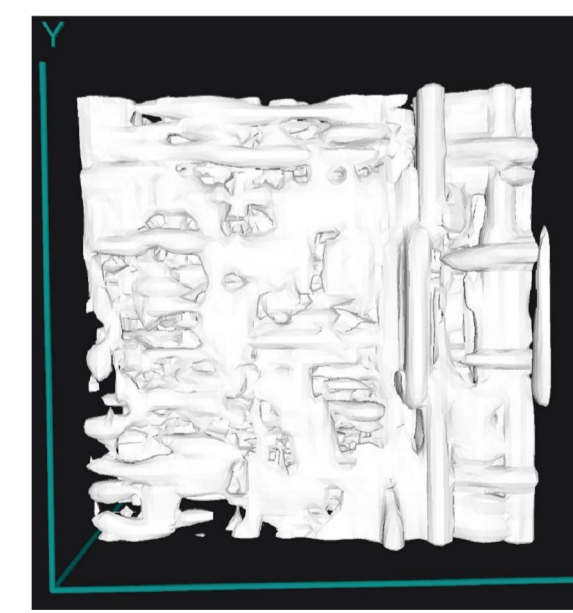
COLUMN - 01



COLUMN - 02



COLUMN - 03



COLUMN - 03

LEGEND						
PT SLAB		This scan report is for information purposes only. Rapid coring SA uses well trained staff and the best available technology on the market to compile this report. This report is only an interpretation of findings on site and can not be held responsible for any design errors based off of this report.				
BOND DEK SLAB						
COLUMN						
DOWNSTAND BEAM						
REBAR						
SCAN AREA						
		Scanned	Drawn	Checked	Approved	Date

CONTRACTOR

Advanced Scanning Solutions  
As Built Made Easy

AS BUILT RECREATE SPECIALISTS  
0834529918  
advancedscanningsolutions@gmail.com

TITLE PROJECT		
RC COLUMN REBAR SCAN		
1st FLOOR LEVEL		
JOB NO.	DRAWING NO.	REVISION
	COL-GPR-01	0